



Cast steel "Y" strainer flanged RF ANSI class # 150



Art. 1801

Design & construction: API 600, API 6D  
 Face to face length: ASME / ANSI B16.10  
 Connections & dimensions: ASME / ANSI B16.5, ASME / ANSI B 16.25  
 Flanges: RF ANSI #150  
 Pressure & temperature: ASME / ANSI B16.34  
 Test: API 598

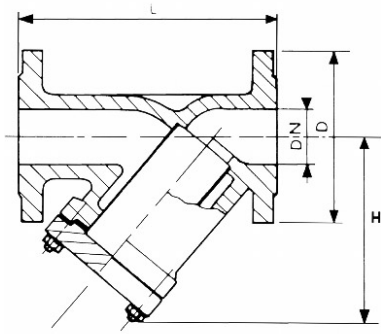
The "Y" strainers are suitable to retain and collect any impurity from the pipeline. The cast steel "Y" strainers are manufactured in cast steel A216WCB according to API, ANSI, ASME standard, for industrial applications. The basket screen made in stainless steel 304 or 316 is removable for its cleaning.

- Fig. 1801A: body st.st. CF8M, screen 316

**Materials**

body-cover	cast steel A216WCB, GP240GH+N
screen	stainless steel AISI 304
gasket	graphite
drain plug	forged steel A105
bolts	A 193 GR. B7
nuts	A 194 GR 2H
painting	high chlorinated polyethylene HCPE

## Dimensions



DN	L mm.	H mm.	D mm.	Weight kg.
2"	203	200	152	12
3"	241	260	190	28
4"	292	320	229	40
6"	406	370	279	87
8"	495	480	343	150
10"	622	590	406	220
12"	698	720	483	260

## Pressure

### Hydrostatic test

### Pneumatic test

shell		seat		Pneumatic test	
bars	psig	bars	psig	bars	psig
30	435	23	335	5,6	80

